

DRAFT VERSION

price list

News
April 2025

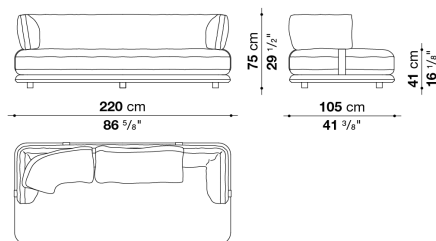
<u>code</u>	<u>description</u>	<u>finish</u>		
COCÙN - design Antonio Citterio				
CO220	Sofa	FABRIC	C.O.F.	5.342
			B	5.342
			A	5.433
			Extra	5.576
			Super	5.654
			Lusso	5.888
			M	7.149
		THICK LEATHER	C.O.F.	5.547
			B	5.547
			A	5.638
			Extra	5.781
			Super	5.859
			Lusso	6.093
			M	7.231
CO90C	Back cushion cm 90 x 60	C.O.F.	278	
		B	278	
		A	295	
		Extra	325	
		Super	344	
		Lusso	393	
		M	616	

**The back cushions are necessary but not included in the product.
On the order please specify: no. 2 back cushions cm 90 x 60 (CO90C).**

On the order please specify: lower edge in bright brushed (0189A) or painted black chrome (0170M) aluminium; brackets cover in natural (1121300), black (1121150), dove grey (1121280) or ivory (1121201) thick leather.

The product has removable covers. For checking the feasibility of the covers for each item code, please refer to tdedicated list of fabric/leather-product matching.

CO220



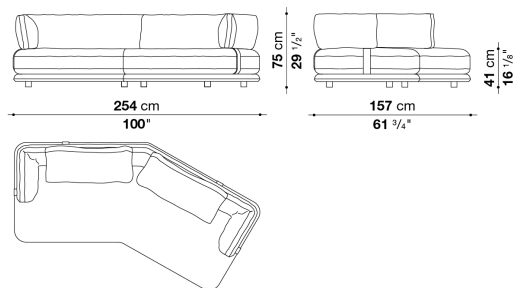
<u>code</u>	<u>description</u>	<u>finish</u>		
COCÙN - design Antonio Citterio				
CO254	Sofa	FABRIC	C.O.F.	6.046
			B	6.046
			A	6.164
			Extra	6.350
			Super	6.451
			Lusso	6.754
		M	8.076	
		THICK LEATHER	C.O.F.	6.252
			B	6.252
			A	6.370
			Extra	6.555
			Super	6.656
			Lusso	6.960
			M	8.157
CO90C	Back cushion cm 90 x 60		C.O.F.	278
		B	278	
		A	295	
		Extra	325	
		Super	344	
		Lusso	393	
		M	616	

**The back cushions are necessary but not included in the product.
On the order please specify: no. 2 back cushions cm 90 x 60 (CO90C).**

On the order please specify: lower edge in bright brushed (0189A) or painted black chrome (0170M) aluminium; brackets cover in natural (1121300), black (1121150), dove grey (1121280) or ivory (1121201) thick leather.

The product has removable covers. For checking the feasibility of the covers for each item code, please refer to tdedicated list of fabric/leather-product matching.

CO254



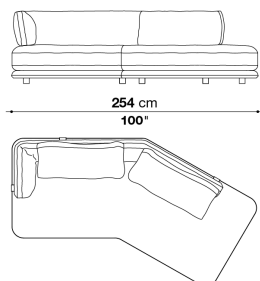
<u>code</u>	<u>description</u>	<u>finish</u>	
COCÙN - design Antonio Citterio			
CO254S CO254D	Left/right dormeuse	FABRIC	C.O.F. 5.465 B 5.465 A 5.569 Extra 5.731 Super 5.820 Lusso 6.086 M 7.240
		THICK LEATHER	C.O.F. 5.610 B 5.610 A 5.713 Extra 5.876 Super 5.965 Lusso 6.230 M 7.299
CO90C	Back cushion cm 90 x 60		C.O.F. 278 B 278 A 295 Extra 325 Super 344 Lusso 393 M 616

**The back cushions are necessary but not included in the product.
On the order please specify: no. 2 back cushions cm 90 x 60 (CO90C).**

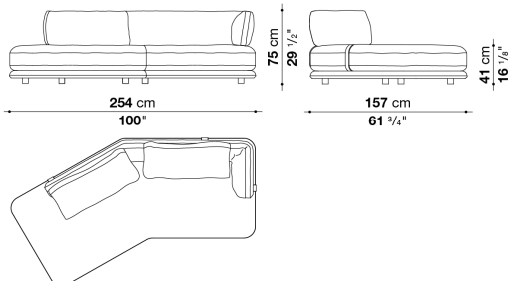
On the order please specify: lower edge in bright brushed (0189A) or painted black chrome (0170M) aluminium; brackets cover in natural (1121300), black (1121150), dove grey (1121280) or ivory (1121201) thick leather.

The product has removable covers. For checking the feasibility of the covers for each item code, please refer to tdedicated list of fabric/leather-product matching.

CO254S



CO254D

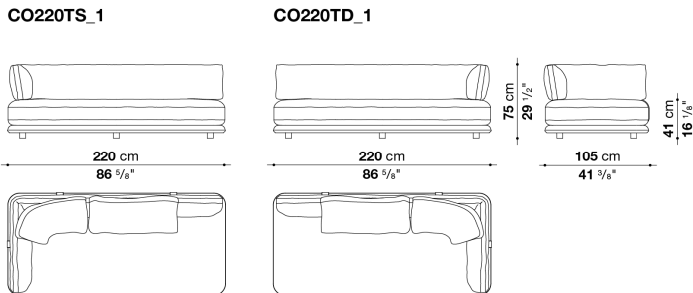


code	description	finish			
COCÙN - design Antonio Citterio					
CO220TS_1	Left/right terminal element	FABRIC	C.O.F.	5.090	
CO220TD_1			B	5.090	
	A		5.180		
	Extra		5.321		
	Super		5.398		
	Lusso		5.629		
	M		6.810		
			THICK LEATHER	C.O.F.	5.236
			B	5.236	
			A	5.326	
		Extra	5.468		
		Super	5.545		
		Lusso	5.776		
		M	6.871		
CO90C	Back cushion cm 90 x 60		C.O.F.	278	
			B	278	
			A	295	
			Extra	325	
			Super	344	
			Lusso	393	
			M	616	

**The back cushions are necessary but not included in the product.
On the order please specify: no. 2 back cushions cm 90 x 60 (CO90C).**

On the order please specify: lower edge in bright brushed (0189A) or painted black chrome (0170M) aluminium; brackets cover in natural (1121300), black (1121150), dove grey (1121280) or ivory (1121201) thick leather.

The product has removable covers. For checking the feasibility of the covers for each item code, please refer to tdedicated list of fabric/leather-product matching.

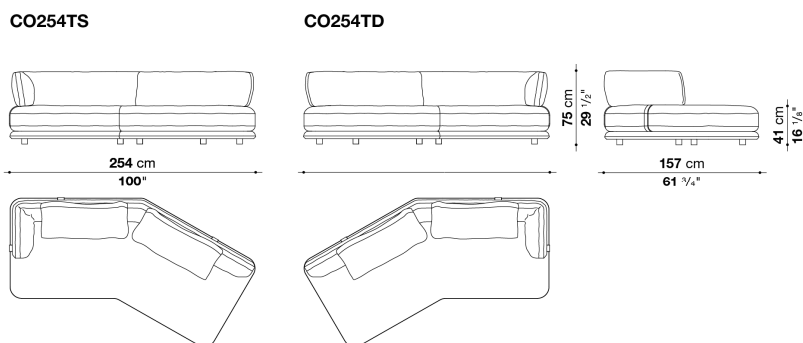


<u>code</u>	<u>description</u>	<u>finish</u>															
COCÙN - design Antonio Citterio																	
CO254TS CO254TD	Left/right terminal element	FABRIC	<table border="0"> <tr><td>C.O.F.</td><td>5.618</td></tr> <tr><td>B</td><td>5.618</td></tr> <tr><td>A</td><td>5.724</td></tr> <tr><td>Extra</td><td>5.892</td></tr> <tr><td>Super</td><td>5.984</td></tr> <tr><td>Lusso</td><td>6.258</td></tr> <tr><td>M</td><td>7.492</td></tr> </table>	C.O.F.	5.618	B	5.618	A	5.724	Extra	5.892	Super	5.984	Lusso	6.258	M	7.492
C.O.F.	5.618																
B	5.618																
A	5.724																
Extra	5.892																
Super	5.984																
Lusso	6.258																
M	7.492																
		THICK LEATHER	<table border="0"> <tr><td>C.O.F.</td><td>5.764</td></tr> <tr><td>B</td><td>5.764</td></tr> <tr><td>A</td><td>5.871</td></tr> <tr><td>Extra</td><td>6.039</td></tr> <tr><td>Super</td><td>6.130</td></tr> <tr><td>Lusso</td><td>6.405</td></tr> <tr><td>M</td><td>7.553</td></tr> </table>	C.O.F.	5.764	B	5.764	A	5.871	Extra	6.039	Super	6.130	Lusso	6.405	M	7.553
C.O.F.	5.764																
B	5.764																
A	5.871																
Extra	6.039																
Super	6.130																
Lusso	6.405																
M	7.553																
CO90C	Back cushion cm 90 x 60		<table border="0"> <tr><td>C.O.F.</td><td>278</td></tr> <tr><td>B</td><td>278</td></tr> <tr><td>A</td><td>295</td></tr> <tr><td>Extra</td><td>325</td></tr> <tr><td>Super</td><td>344</td></tr> <tr><td>Lusso</td><td>393</td></tr> <tr><td>M</td><td>616</td></tr> </table>	C.O.F.	278	B	278	A	295	Extra	325	Super	344	Lusso	393	M	616
C.O.F.	278																
B	278																
A	295																
Extra	325																
Super	344																
Lusso	393																
M	616																

The back cushions are necessary but not included in the product.
On the order please specify: no. 2 back cushions cm 90 x 60 (CO90C).

On the order please specify: lower edge in bright brushed (0189A) or painted black chrome (0170M) aluminium; brackets cover in natural (1121300), black (1121150), dove grey (1121280) or ivory (1121201) thick leather.

The product has removable covers. For checking the feasibility of the covers for each item code, please refer to tdedicated list of fabric/leather-product matching.



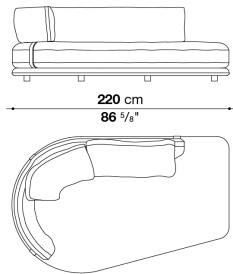
code	description	finish	
COCÙN - design Antonio Citterio			
CO220TS_2	Left/right terminal element	FABRIC	C.O.F.
CO220TD_2			B
			A
			Extra
			Super
			Lusso
			M
			5.833
			5.833
			5.936
			6.099
			6.187
			6.453
			7.722
		THICK LEATHER	C.O.F.
			B
			A
			Extra
			Super
			Lusso
			M
			5.979
			5.979
			6.083
			6.245
			6.334
			6.600
			7.783
CO90C	Back cushion cm 90 x 60		C.O.F.
			B
			A
			Extra
			Super
			Lusso
			M
			278
			278
			295
			325
			344
			393
			616

**The back cushions are necessary but not included in the product.
On the order please specify: no. 2 back cushions cm 90 x 60 (CO90C).**

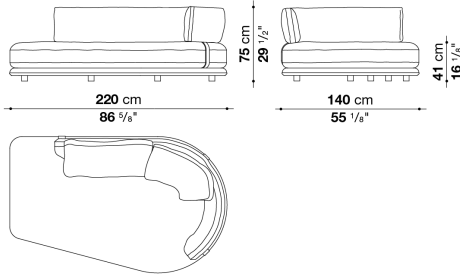
On the order please specify: lower edge in bright brushed (0189A) or painted black chrome (0170M) aluminium; brackets cover in natural (1121300), black (1121150), dove grey (1121280) or ivory (1121201) thick leather.

The product has removable covers. For checking the feasibility of the covers for each item code, please refer to tdedicated list of fabric/leather-product matching.

CO220TS_2



CO220TD_2

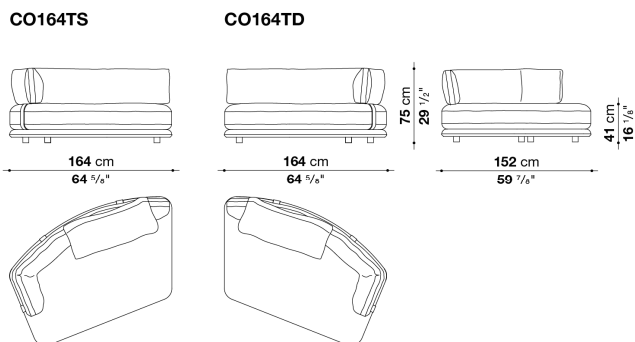


<u>code</u>	<u>description</u>	<u>finish</u>	
COCÙN - design Antonio Citterio			
CO164TS CO164TD	Left/right terminal element	FABRIC	C.O.F. 4.597 B 4.597 A 4.675 Extra 4.797 Super 4.863 Lusso 5.063 M 5.992
		THICK LEATHER	C.O.F. 4.744 B 4.744 A 4.821 Extra 4.943 Super 5.010 Lusso 5.209 M 6.053
CO90C	Back cushion cm 90 x 60		C.O.F. 278 B 278 A 295 Extra 325 Super 344 Lusso 393 M 616

**The back cushions are necessary but not included in the product.
On the order please specify: no. 1 back cushion cm 90 x 60 (CO90C).**

On the order please specify: lower edge in bright brushed (0189A) or painted black chrome (0170M) aluminium; brackets cover in natural (1121300), black (1121150), dove grey (1121280) or ivory (1121201) thick leather.

The product has removable covers. For checking the feasibility of the covers for each item code, please refer to tdedicated list of fabric/leather-product matching.



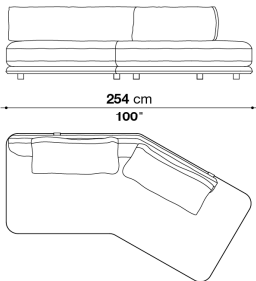
<u>code</u>	<u>description</u>	<u>finish</u>	
COCÙN - design Antonio Citterio			
CO254TPS CO254TPD	Left/right ottoman-terminal element	FABRIC	C.O.F. 5.156 B 5.156 A 5.252 Extra 5.402 Super 5.484 Lusso 5.729 M 6.780
		THICK LEATHER	C.O.F. 5.244 B 5.244 A 5.339 Extra 5.489 Super 5.571 Lusso 5.817 M 6.820
CO90C	Back cushion cm 90 x 60		C.O.F. 278 B 278 A 295 Extra 325 Super 344 Lusso 393 M 616

**The back cushions are necessary but not included in the product.
On the order please specify: no. 2 back cushions cm 90 x 60 (CO90C).**

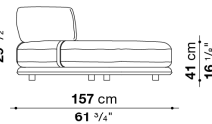
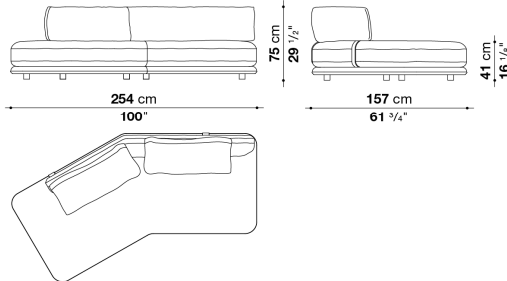
On the order please specify: lower edge in bright brushed (0189A) or painted black chrome (0170M) aluminium; brackets cover in natural (1121300), black (1121150), dove grey (1121280) or ivory (1121201) thick leather.

The product has removable covers. For checking the feasibility of the covers for each item code, please refer to tdedicated list of fabric/leather-product matching.

CO254TPS



CO254TPD



code	description	finish	
COCÙN - design Antonio Citterio			
CO164TPS CO164TPD	Left/right ottoman-terminal element	FABRIC	C.O.F. 4.226 B 4.226 A 4.299 Extra 4.413 Super 4.476 Lusso 4.664 M 5.452
		THICK LEATHER	C.O.F. 4.313 B 4.313 A 4.386 Extra 4.501 Super 4.563 Lusso 4.751 M 5.493
CO90C	Back cushion cm 90 x 60		C.O.F. 278 B 278 A 295 Extra 325 Super 344 Lusso 393 M 616

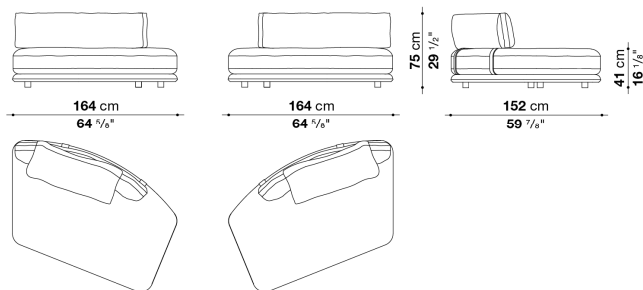
**The back cushions are necessary but not included in the product.
On the order please specify: no. 1 back cushion cm 90 x 60 (CO90C).**

On the order please specify: lower edge in bright brushed (0189A) or painted black chrome (0170M) aluminium; brackets cover in natural (1121300), black (1121150), dove grey (1121280) or ivory (1121201) thick leather.

The product has removable covers. For checking the feasibility of the covers for each item code, please refer to tdedicated list of fabric/leather-product matching.

CO164TPS

CO164TPD

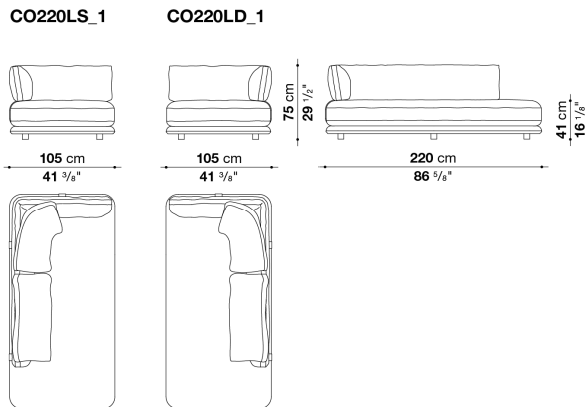


<u>code</u>	<u>description</u>	<u>finish</u>	
COCÙN - design Antonio Citterio			
CO220LS_1 CO220LD_1	Left/right chaise longue	FABRIC	C.O.F. 5.051 B 5.051 A 5.136 Extra 5.268 Super 5.340 Lusso 5.557 M 6.641
		THICK LEATHER	C.O.F. 5.198 B 5.198 A 5.282 Extra 5.415 Super 5.487 Lusso 5.704 M 6.702
CO90C	Back cushion cm 90 x 60		C.O.F. 278 B 278 A 295 Extra 325 Super 344 Lusso 393 M 616

**The back cushions are necessary but not included in the product.
On the order please specify: no. 2 back cushions cm 90 x 60 (CO90C).**

On the order please specify: lower edge in bright brushed (0189A) or painted black chrome (0170M) aluminium; brackets cover in natural (1121300), black (1121150), dove grey (1121280) or ivory (1121201) thick leather.

The product has removable covers. For checking the feasibility of the covers for each item code, please refer to tdedicated list of fabric/leather-product matching.

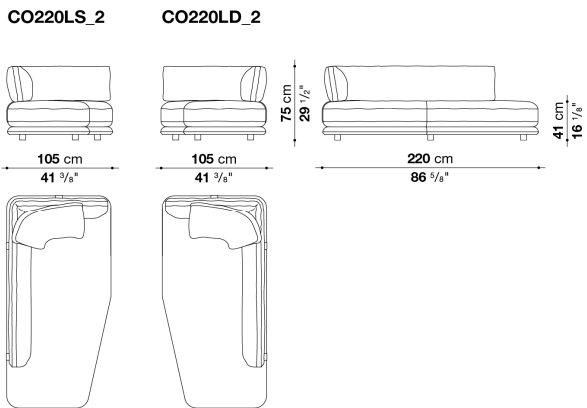


<u>code</u>	<u>description</u>	<u>finish</u>	
COCÙN - design Antonio Citterio			
CO220LS_2 CO220LD_2	Left/right chaise longue	FABRIC	C.O.F. 5.009 B 5.009 A 5.097 Extra 5.235 Super 5.310 Lusso 5.535 M 6.604
		THICK LEATHER	C.O.F. 5.156 B 5.156 A 5.243 Extra 5.381 Super 5.456 Lusso 5.682 M 6.665
CO90C	Back cushion cm 90 x 60		C.O.F. 278 B 278 A 295 Extra 325 Super 344 Lusso 393 M 616

**The back cushions are necessary but not included in the product.
On the order please specify: no. 1 back cushion cm 90 x 60 (CO90C).**

On the order please specify: lower edge in bright brushed (0189A) or painted black chrome (0170M) aluminium; brackets cover in natural (1121300), black (1121150), dove grey (1121280) or ivory (1121201) thick leather.

The product has removable covers. For checking the feasibility of the covers for each item code, please refer to tdedicated list of fabric/leather-product matching.



code	description	finish	
-------------	--------------------	---------------	--

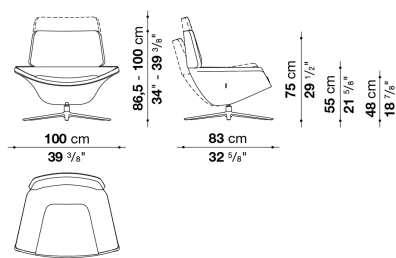
METROPOLITAN RELAX - design Jeffrey Bernett

MER100_1	Swivel armchair with reclining mechanism	C.O.F.	2.807
		B	2.807
		A	2.869
		Extra/C.O.L.	2.965
		Super	3.017
		Lusso	3.174
		Beta	3.459
Alfa/Gamma	3.661		
	Koto/Kasia/Kora	4.267	

On the order please specify: support frame in bright brushed (0189A) or bronzed nickel painted (0174B) aluminium.

The headrest is adjustable in height. The product has removable covers. For checking the feasibility of the covers for each item code, please refer to the dedicated list of fabric/leather-product matching.

MER100_1

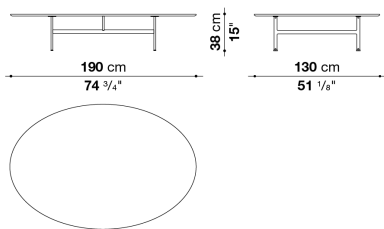


code	description	finish	
DIESIS - design Antonio Citterio			
TDS190_13A	Oval low table <i>(bright brushed support frame)</i>	Carrara white marble Marquinia black marble Sahara noir marble	2.758 3.502 6.024
TDS190_13AC	Oval low table <i>(painted black chrome support frame)</i>	Carrara white marble Marquinia black marble Sahara noir marble	3.339 4.084 6.605

On the order please specify: top in Carrara white marble "venatino Statuarietto" with natural finish (0900M), Marquinia black marble with matt polyester finish (0955M) or Sahara noir marble with glossy polyester finish (0940S); support frame in bright brushed (0189A) or painted black chrome (0170M) aluminium.

Feet in matt brushed aluminium.

TDS190_13A



code	description	finish
------	-------------	--------

LILUM 50 - design Antonio Citterio

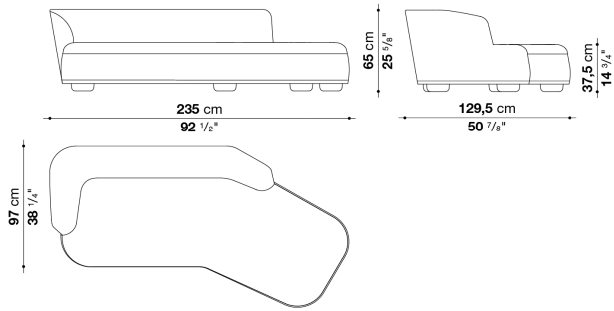
LIL235S_SP	Left dormeuse	Fabric Patrick 8.448
------------	---------------	----------------------

Cover in fabric Patrick (2952215) customized by the artist Patrick van Riemsdijk.
Lower edge in bronzed nickel painted aluminium (0174B).

LIMITED EDITION IN 50 PIECES

The product is personalized with Maxalto 50th Anniversary logo and serial number.

LIL235S_SP



code	description	finish	
-------------	--------------------	---------------	--

PATHOS 50 - design Antonio Citterio

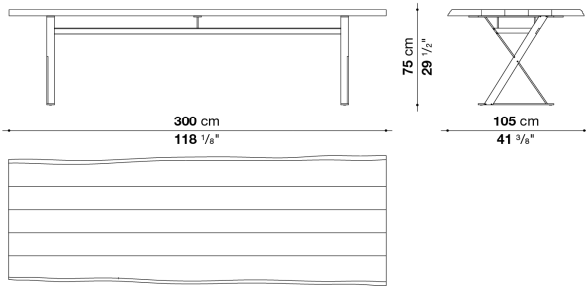
SMTE30_SP	Rectangular table	Walnut	20.469
------------------	-------------------	--------	--------

Top in National walnut (0308N). Support frame in bright bronze (0767B).

LIMITED EDITION IN 50 PIECES

The product is personalized with Maxalto 50th Anniversary logo and serial number.

SMTE30_SP



code	description	finish	
ERICA - design Antonio Citterio			
ER200LG	Sunbed with adjustable back	Dove grey/Anthracite/Olive bronze	1.550
ER200LGN		Cream white/Aquamarine green	1.550
ER200L_SE	Small mattress	C.O.F.	436
		A	463
		Extra	511
		Super	535
		Lusso	610
ER40_P	Headrest cushion	C.O.F.	160
		A	166
		Extra	176
		Super	181
		Lusso	197
ER200LF	Waterproof cover cloth		NOT AVAILABLE

The small mattress (ER200L_SE) is necessary but not included in the product, to specify at the order. The price of the product does not include the headrest cushion (ER40_P), which have to be ordered separately.

The maximum number of stackable sunbeds is six (excluding small mattresses) as per our drawing. The back is adjustable in five positions.

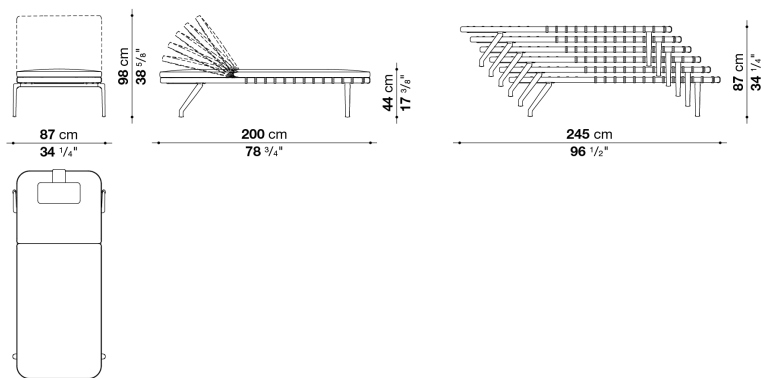
On the order please specify:

- dove grey painted aluminium frame and interlacing in dove grey polypropylene fibre (0828T);
- anthracite painted aluminium frame and interlacing in anthracite polypropylene fibre (0625G);
- olive bronze painted aluminium frame and interlacing in hay green polypropylene fibre (0424B);
- cream white painted aluminium frame and interlacing in beige polypropylene fibre (0256B);
- aquamarine green painted aluminium frame and interlacing in beige polypropylene fibre (0269V).

The product is realized with weather resistant polyester powder painting.

The product has removable covers. The product is available for the U.K. market (British Standard) only with a selection of suitable fabrics (see dedicated list of fabric-product matching). If the products are placed outdoor and not used for a period of time, we suggest to protect them with their specifically designed waterproof cover cloth to prevent damage and to refer always to the maintenance indication contained in the product data sheet.

ER200LG



code	description	finish	
ERICA - design Antonio Citterio			
ER504T	Rectangular table	Dove grey/Anthracite/Olive bronze	7.098
ER504TN		Cream white/Aquamarine green	7.098

ER504TF Waterproof cover cloth NOT AVAILABLE

On the order please specify:

- dove grey painted (0380T), anthracite painted (0236B), olive bronze painted (0707B), cream white painted (0261B) or aquamarine green painted (0445V) aluminium frame.

Top in natural teakwood (0456T).

The product is realized with weather resistant polyester powder painting.

If the products are placed outdoor and not used for a period of time, we suggest to protect them with their specifically designed waterproof cover cloth to prevent damage and to refer always to the maintenance indication contained in the product data sheet.

ER504T

